

Butterfly Valve K4 with hand wheel



General:

- Sealing material: EPDM
FPM
- Body material: PP-GF
- Disc material: PVC
PP
PVDF
- Dimensions: DN65 – DN200
d75 – d225
2 1/2" – 8"
- Flange connections: DIN 2501 PN10
ANSI B 16,5 Class 150
JIS 10 K
BS Table D&E
- Additional dimension: DN65/d63 PVC
DIN 2501 PN10

Operating pressure:

PVC, PP, PVDF PN10

Characteristics:

- only sleeve gasket and disc in touch with medium
- double sealed shaft
- integrated bracket for fix point mounting
- variable locking positions
90° ±5° adjustable
- fixed position of the disc due to self-locking gear mechanism
- smooth running of gear wheel due to high coefficient worm gear
- less space needed compared to hand lever
- gear protection IP67
- ambient temperature range for gear mechanism -20°C bis +80°C

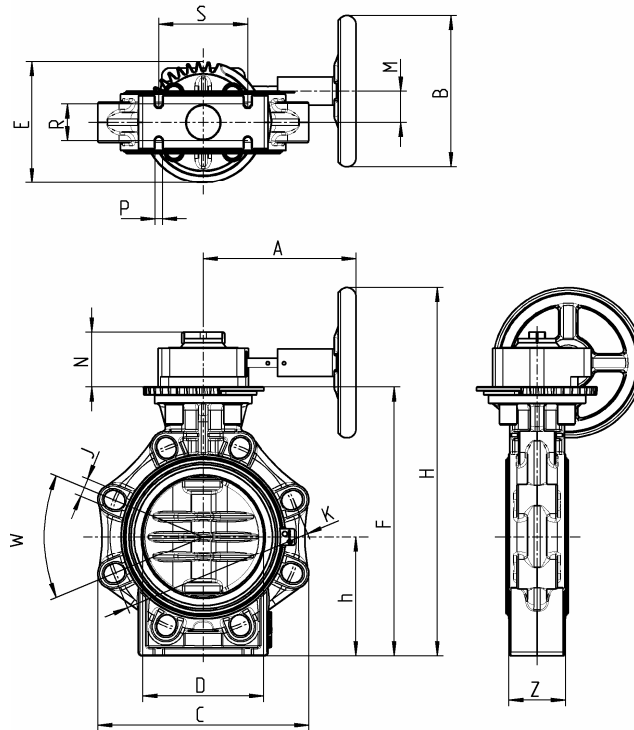
This print contains no warranty promise, but it should give you some first information. The product range is extended continuously, therefore the versions and types correspond to the actual status of printing.
Subject to technical modifications!



Butterfly Valve K4 with hand wheel



Dimensions:



DN	65	80	100	125	150	200
D	75	90	110	140	160	225
G	2 1/2"	3"	4"	5"	6"	8"
W	90°	45°	45°	45°	45°	45°
J	19	19	19	23	23	23
K	127-145	146-160	175-190,5	209,5-216	234,5-241,5	290-298,5
D	65	80	100	125	150	200
C	133	176	206	234,5	261	314
Z	46	49	56	64	70	71
S	55	70	85	100	110	145
R	25	30	35	45	45	40
P	7	9	9	9	9	9
h	100	100	115	130	147,5	175
F	232	239	269	303,5	333	395
N	50,5	50,5	50,5	50,5	50,5	50,5
H	325	332	362	963,5	463,5	525,5
A	167	167	167	167	167	167
B	125	125	125	200	200	200
M	38,5	38,5	38,5	38,5	38,5	38,5
E	114	114	114	114	150	150
PN	10	10	10	10	10	10

Dimensionen in mm

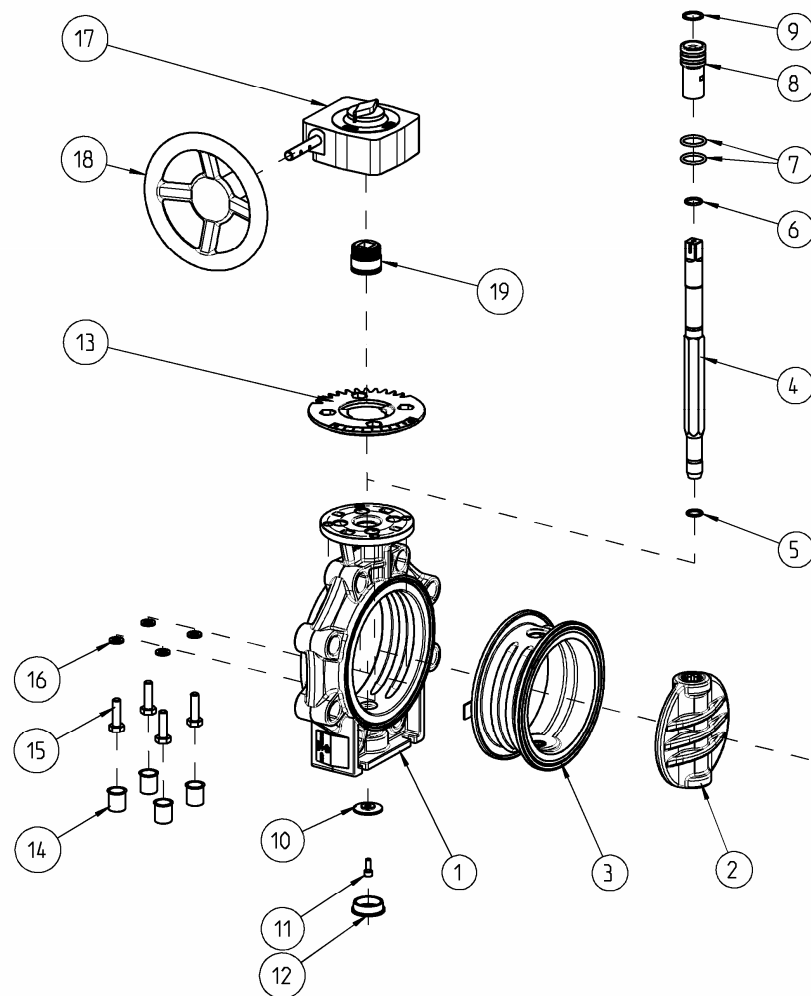


Butterfly Valve K4 with hand wheel



Exploded drawing:

- 01. Body
- 02. Disc
- 03. Sleeve
- 04. Shaft
- 05. Seal shaft below
- 06. Seal shaft above
- 07. Seal pilot bushing
- 08. Pilot bushing
- 09. Retaining ring
- 10. Holding disc
- 11. Tooth wheel
- 12. Cap
- 13. Cover plate
- 14. Cap
- 15. Screws
- 16. Tooth wheel
- 17. Hand gear
- 18. Hand wheel
- 19. Coupling



© Praher Kunststofftechnik GmbH DB/EN/D/09/10/203/A Subject to change without prior

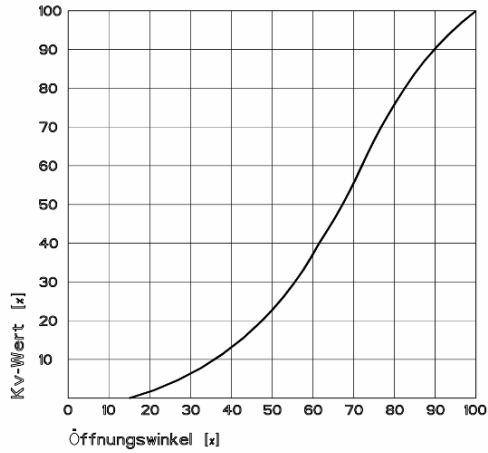


Butterfly Valve K4 with hand wheel

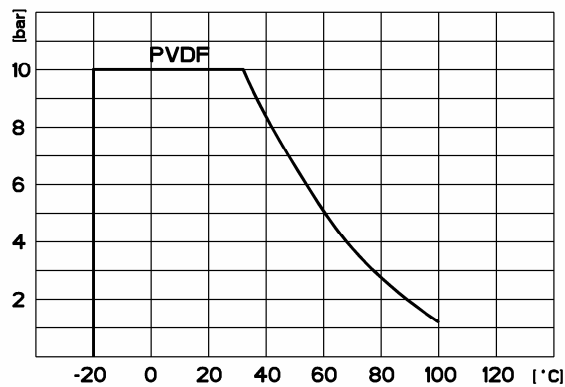
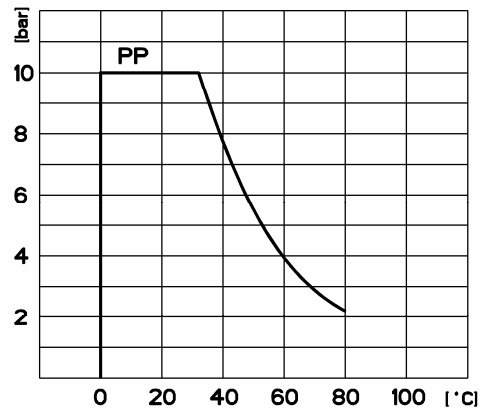
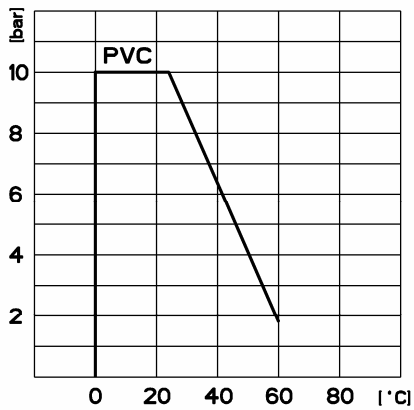


Diagrams:

Flow-characteristic



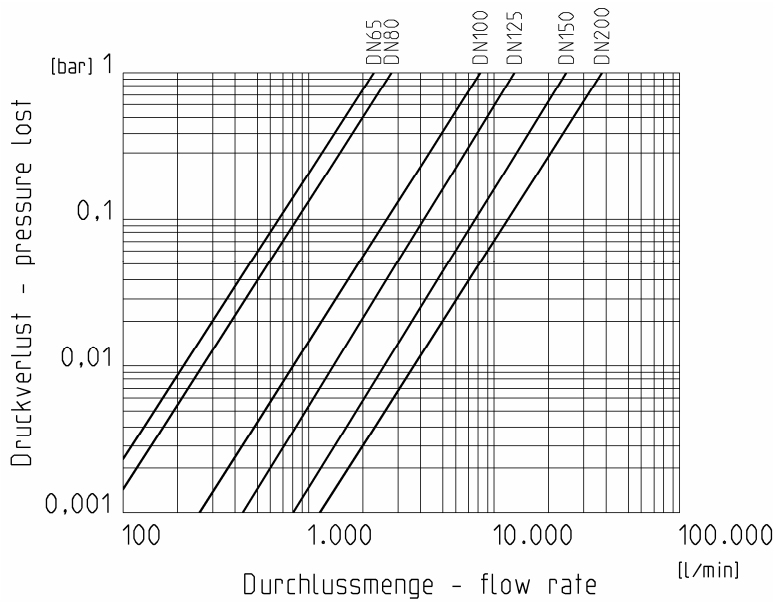
Pressure-Temperature-Diagram



Butterfly Valve K4 with hand wheel



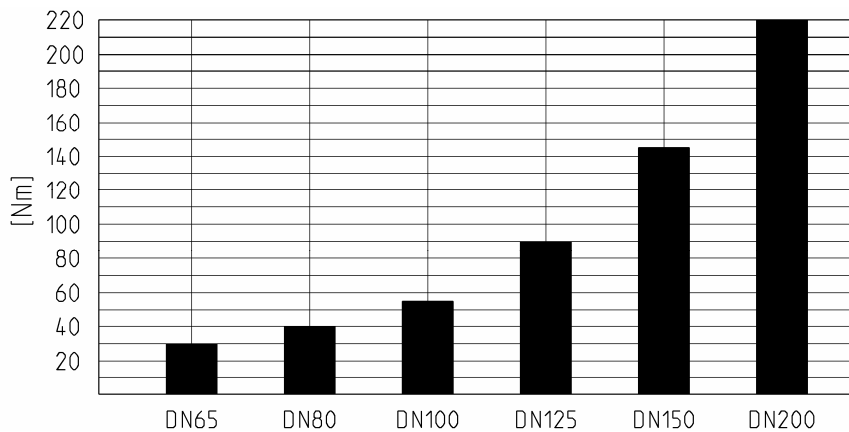
Pressure loss–Diagram



Kv value

Pressure loss	DN65	DN80	DN100	DN125	DN150	DN200
0,001 bar	73 l/min	88 l/min	260 l/min	433 l/min	805 l/min	1200 l/min
1 bar	2300 l/min	2800 l/min	8200 l/min	13700 l/min	25500 l/min	38000 l/min

Torque



Tightening torque for screws for flange connections

DN	65	80	100	125	150	200
Nm	15	18	20	30	40	55

