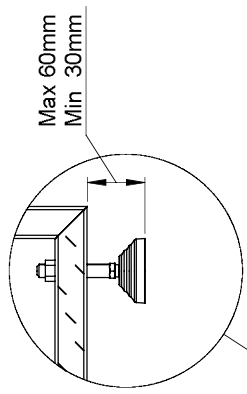
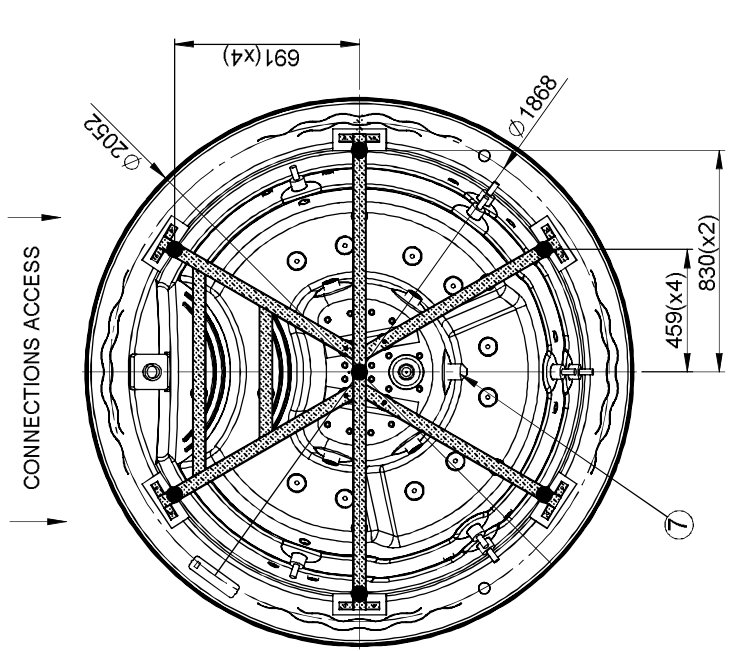


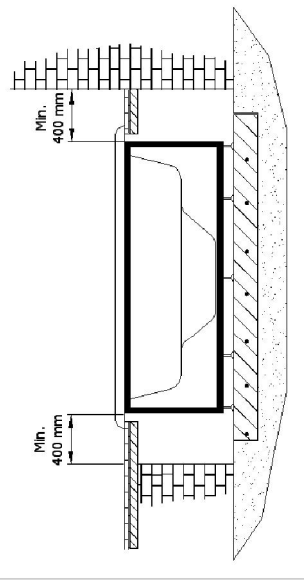
SPA ODISEA 20		49859
1	Suction-Water Massage Pump 1	1x \varnothing 2" FT
2	Return-Water Massage Pump 1	1x \varnothing 2" FT
3	Return-Air Massage	1x \varnothing 2" FT
4	Suction-Filtration Pump (Bottom Drain)	1x \varnothing 2" FT
5	Return-Filtration Pump	1x \varnothing 2" FT
6	Skimmer	\varnothing 63 mm FS
7	Light (Cromotherapy High Intensity Leds)	1 un.

FT: BSP Female Thread
 FS: Female solvent Socket



Minimum depth of the spa hole 980 mm.

WARNING
 It is essential to keep a minimum clearance access of 400 mm all around.



DETALLE A
ESCALA 1 : 5

Dimensions in mm.
 Cotas en mm.

Control Dimensions
 Cotas de control

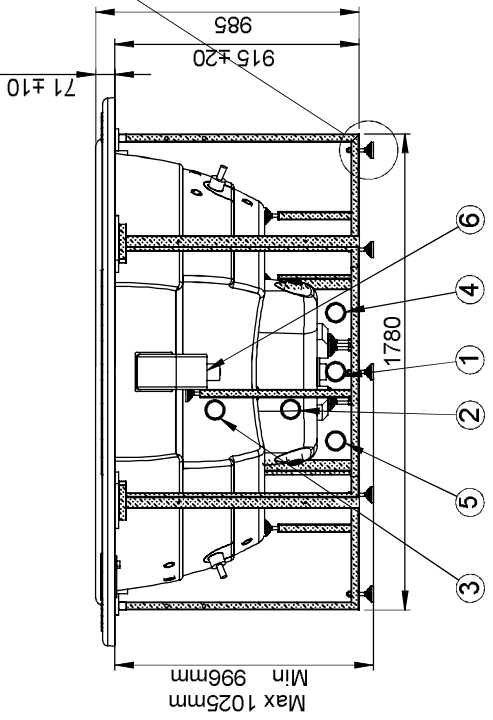
CC/SC Critical or Significant Characteristics
 CC/SC Características Críticas o Significativas

00	22/12/09	M.Freixes	Modification	Drawing creation
Change No. Cambio Num.	Date Fecha	Name Nombre	Modification Modificación	
Remarks Observaciones Odisea 20				

Drawn Dibujado	22/12/09	M.Freixes	Part Name Nombre	Part Number Numero de pieza	Rev No.
Checked Verificado		I. Nicolas	Installation Drawing	49859	00
Scale Escala	General Tolerance Tolerancias Generales	DIN 7168 ISO 2768g	Material	Surface Coating Acabado Superficial	Color RAL
1:20			Assembled in spa number Montado en numero de spa	Weight W_{sp} (g)	Surface Hardness Shore A
			Size T_{max} DIN-A3	Weight W_{sp} (g)	First Angle Projection
			Drawing type Tipo de plano		
			Product		



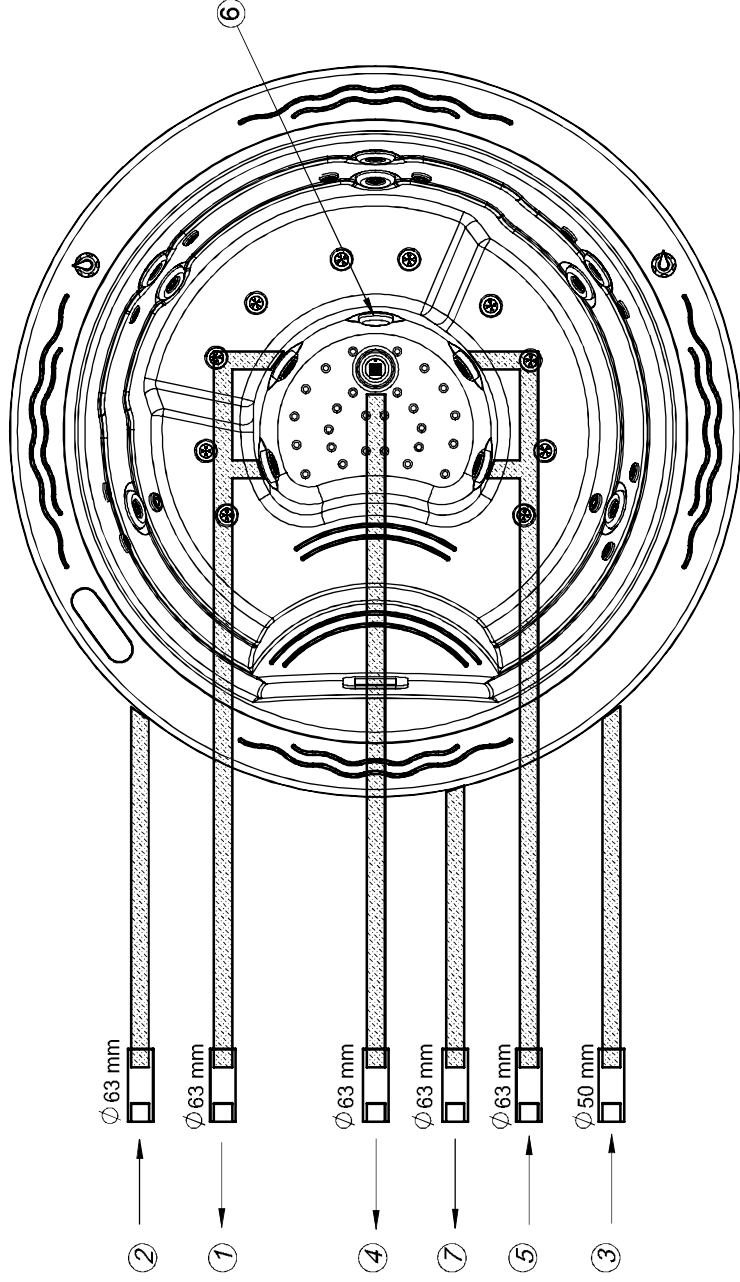
Property of IBERSPA S.L. Avda. Pla d'Ugall, 2-8 25200 Cervera, Spain. Don't use without permission. Keep this information confidential and use it solely for the permitted purpose.



DIMENSIONS IN MM. General tolerancies \pm 10 mm.
WE RESERVE THE RIGHT TO CHANGE ALL OR PART OF THIS ARTICLE FEATURES

SPA ROUND 2		49859
1	Suction-Water Massage Pump 1	1x ϕ 2" FT
2	Return-Water Massage Pump 1	1x ϕ 2" FT
3	Return-Air Massage	1x ϕ 1.5" FT
4	Suction / Return-Filtration Pump (Bottom Drain)	1x ϕ 2" FT
5	Return-Filtration Pump	1x ϕ 2" FT
6	Light (Halogen)	1 un.
7	Skimmer	1x ϕ 2" FT

FT: BSP Female Thread
 FS: Female solvent Socket



Dimensions in mm.
 Cotas en mm.



CC/SC Critical or Significant Characteristics
 CC/SC Características Críticas o Significativas

Change No. Cambio Num.	00	Date Fecha	22/12/09	Name Nombre	M.Freixes	Modification Modificación	Drawing creation
Remarks Observaciones	Round 2						

Drawn Dibujado	Date Fecha	Name Nombre	Part Name Nombre de pieza	Part Number Número de pieza	Rev No.
Checked Verificado	22/12/09	M.Freixes	Connections Detail Drawing		00
Scale Escala	1:20	I. Nicolas	Material	Surface Coating Acabado Superficial	Color RAL
General Tolerance Tolerancias Generales	DIN 7168 ISO 2768g	Assembled in spa number Montado en número de spa	Drawing type Tipo de planta	Weight Peso (g)	Surface Hardness Shore A
First Angle Projection					

IBERSPA

Property of IBERSPA S.L. Avda. Pla d'Ugeal, 2-8 25200 Cervera, Spain. Don't use without permission. Keep this information confidential and use it solely for the permitted purpose.

NUMBER AND DISTRIBUTION OF JETS CAN CHANGE DEPENDING ON THE VERSION
 DIMENSIONS IN MM.
 WE RESERVE THE RIGHT TO CHANGE ALL OR PART OF THE FEATURES OF THIS ARTICLE